

Blue PUCK RHT



Bluetooth Low Energy Humidity & Temperature sensor

BENEFITS

- Very high autonomy : up to 18 years
- High transmission range
- Waterproof (IP65)
- Smart & secure programming by NFC
- Over The Air Programming (OTAP)
- Dynamic Advertising period
- BAF compatible depending on configuration



TECHNICAL SPECIFICATIONS

OPERATING MODE

Frequency	2,4 GHz - Bluetooth Low Energy 4.0/4.2
Output power	Up to +4 dBm (configurable)
Range	Up to 500 meters open field (+4dBm)
Transmission period	2 advertising periods can be configured (value between 0,1 and 86400 seconds). Transition from one to another according to configurable sensor threshold
Radio frame format	ELA ID (15 bytes identifier) ELA RHT (15 bytes identifier + 2 bytes Temperature (in 0.01 °C)+1 byte Relative Humidity (%)) <i>Other frame format available on request. Refer to the frames specifications for more informations</i>
Parameters and configuration	Interface/protocol: NFC (Type 2)
Connected mode	Datalogger transmission (record of saved sensor data) Battery level command

Sensors performance

	Temperature	Humidity (non-condensing)
Range	-40 to 85 °C	0% to 100%
Resolution	0.01 °C	0.01 %
Accuracy	±0,4 °C maximum	±2,5 % max (0% to 90%) ±3,5 % max (90% to 100%)

BATTERY

Power supply	3 VDC - Internal lithium battery
Battery life	Up to 18 years* <i>* Refer to the battery life curves for more information</i>
Battery level	Low battery warning in advertising frames (<15%) Battery voltage in scan response frames (configurable)

CERTIFICATIONS

Europe	CE / EN 301 489 & EN 55032 / EN 62368-1
UK	UKCA
USA	FCC : FCC 15
Canada	ISED : RSS-247 / ICES-003
RoHS/REACH	Yes

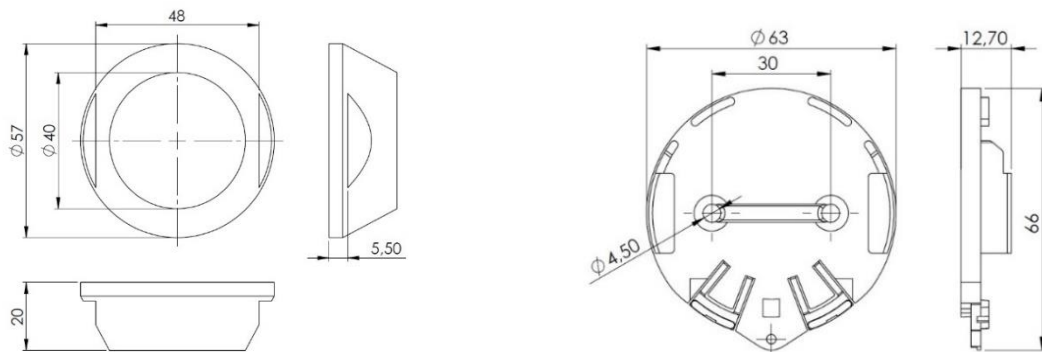
HOUSING

Dimensions	Ø 57 mm base - Thickness 20 mm
Weight	41g
Materials	DELIRIN (POM C) Compatible with food products (90/128/EEC)
Waterproofness	IP 65 (non-condensing)
Operating temperature	-40°C to +85°C

ACCESSORIES

Tag support	<p>Holder + double-sided adhesive: PUCK HOLDER STICKER (ACIOM118B)</p> <p>Holder only: PUCK HOLDER (ACIOM117B)</p> <p>Double-sided adhesive only: PUCK STICKER (ACIOM188) 3M PT1100 - Ø 55mm – Thickness: 1,1mm</p>
-------------	--

MECHANICAL DRAWINGS



BLUE PUCK RHT

PUCK HOLDER

AVAILABLE REFERENCES

Ref	Description
IDF25242-01A	Blue Puck RHT Bluetooth advanced features ready version & IP65