

BLUE COIN MAG

Bluetooth Low Energy Magnetic sensor



BENEFITS

- Integrated Hall effect magnetic sensor
- High autonomy : upto 4 years
- Waterproof (IP68)
- Smart & secure programming by NFC
- Over The Air Programming (OTAP)



TECHNICAL SPECIFICATIONS

OPERATING MODE

Frequency	2.4 GHz - Bluetooth Low Energy 4.0/4.2
Output power	Up to +4 dBm (configurable)
Range	Up to 200 meters in open field (+4dBm)
Transmission period	Advertising period (0,1 sec to 10 sec – configurable)
Radio frame format	Identifier (15 characters max.) (2 bytes)* Magnetic event counter: Total number of magnetic events detected (15 bits)* Magnetic instantaneous state (1 bit)* <i>*Refer to the frames specifications for more information</i>
Settings and configuration	Interface/protocole : NFC (Type 2)
Connected mode	Datalogger transmission (record of saved sensor data) Battery level command
Advertising mode	Periodic sensor data transmission. Immediate transmission on change of sensor state.
Sensor performance	Hall effect sensor range: 2cm typ.(on the side of the "arrow" symbol) Magnetic event detector: Immediate transmission upon change of sensor state

BATTERY

Power supply	3 VDC - Internal lithium battery
Battery life	Up to 4 years* <i>*Refer to the battery life curves for more information.</i>
Battery level	Low battery warning in advertising frames (<15%) Battery voltage in scan response frames (configurable)

CERTIFICATIONS

Europe	CE : EN 300 328/EN 300 330, EN 301 489, EN 62311, EN 62368
USA	FCC : FCC PART 15
Canada	ISED : RSS-247/ICES-003
RoHS	Yes

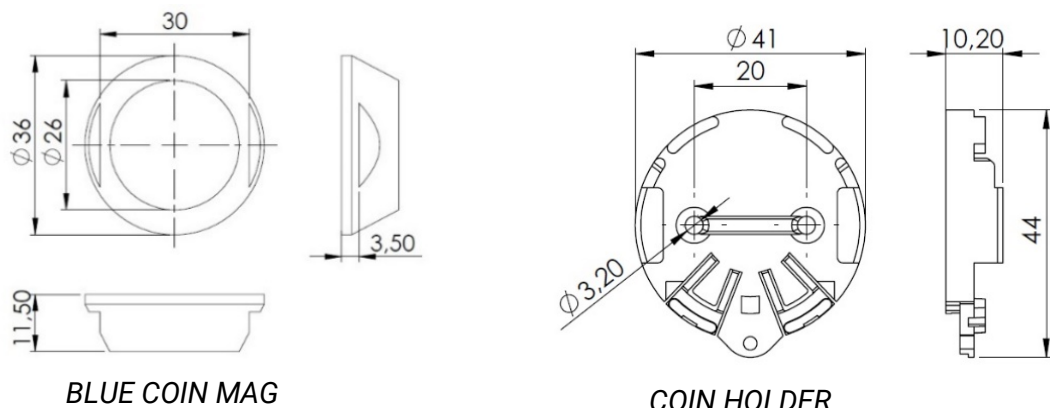
HOUSING

Dimensions	Ø 36mm base - Height 11,5mm
Weight	13g
Materials	DELIRIN (POM C) Compatible with food products (90/128/EEC)
Waterproof grade	IP 68
Operating temperature	-30°C to +70°C

ACCESSORIES

Tag support	COIN HOLDER STICKER (ACIOM92C) COIN HOLDER (ACIOM91) COIN STICKER (ACIOM187) 3M PT1100 - Ø 34mm – Thickness: 1,1mm
--------------------	---

MECHANICAL DRAWINGS



BLUE COIN MAG

COIN HOLDER

Specifications may be modified without any notification. Non-contractual document.
www.elainnovation.com Copyright © 2020 ELA Innovation – FP Blue COIN MAG 07B EN